



Room Air Conditioner SVC MANUAL(Exploded View)

MODEL : TS-C1825DA1

CAUTION

Before Servicing the unit, read the safety precautions in General SVC manual.
Only for authorized service personnel.

1. Specification

Product Model			TS-C1825DA1
Sales Model			SJ182CD
Capacity			
Cooling Capacity		Btu/h	18000
Heating Capacity		Btu/h	-
Electrical Parts			
Voltage, Frequency/Phase		Φ / V / Hz	1,220V,60Hz
Power Input	Cooling	W	1800
	Heating	W	-
Running Current	Cooling	A	8.4
	Heating	A	-
Performance			
EER	Cooling	Btu/h	10.0
COP	Heating	W/W	-
Air Circulation	Indoor,Max	m ³ /min(cfm)	13.0
	Outdoor,Max	m ³ /min(cfm)	28
Moisture Removal		l/h	2.5
Sound Level	Indoor,H/M/L	dB(A)+3	42
	Outdoor,Max	dB(A)+3	56
Feature			
Neo Plasma Air Purifying System			N
Anti Corrasion			N
Temperature Control			Y
CHAOS Wind(Auto Wind)			N
Airflow Direction Control(up&down)			Auto
Airflow Direction Control(left&right)			Manual
Remocon Type			Wireless Simple
Setting Temperature Range	Cooling		18-30
	Heating		-
Auto Chage Over			N
Auto Clean			N
Seps,Fan/Cool			3/4
Temperature Increment			1°C
Timer			7Hr,Off
Sleep Operation			Y
Restart Delay(Minute)			3
Hot start			-
Jet Cool			Y
Compressor	Type		Rotary,PH250(Toshiba)
Installation & Stuffing			
Net Dimensions	WxHxD	mm	1090*314*190/770*540*245
Net Weight	Indoor/Outdoor	kg	14/41
Q'ty	With S/parts	20/40FT	
	Without S/parts	20/40FT	

Note:

O : Applied, - : No relation

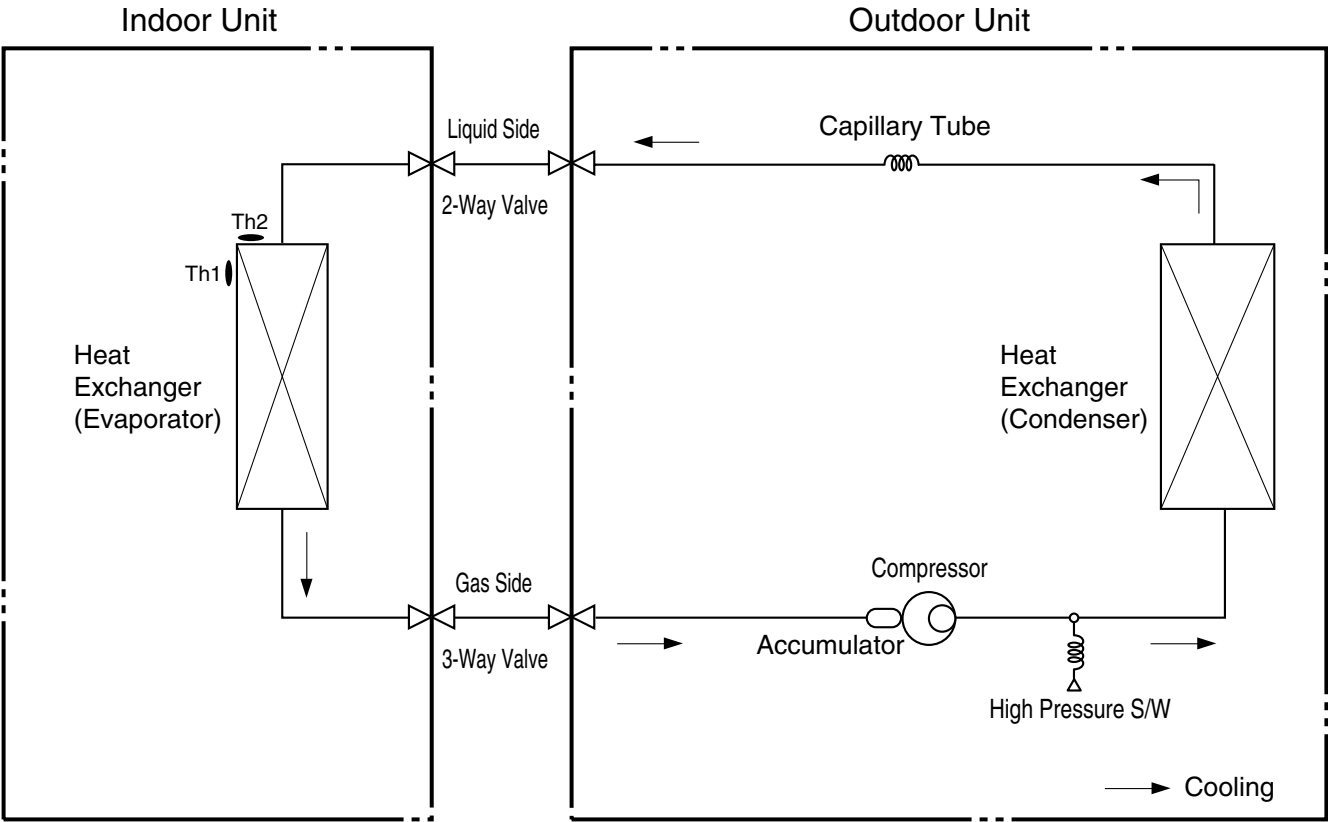
* For circuit breaker rating, please conform to local standards wherever necessary.

※ Some of functions are slightly different depending upon models.

※ The specification may be subject to change without prior notice for purpose of improvement.

2 Room Air Conditioner

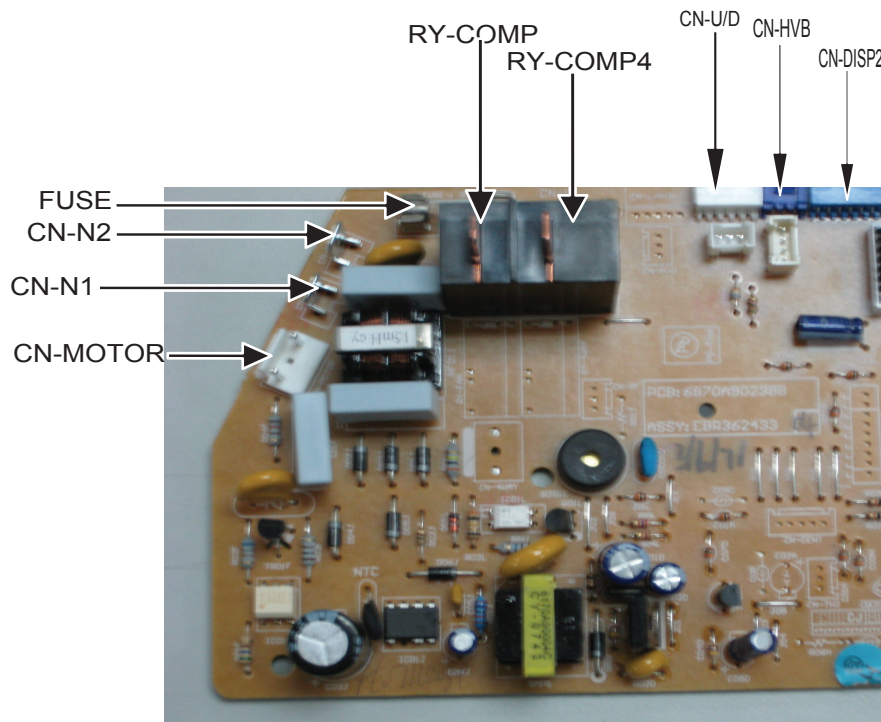
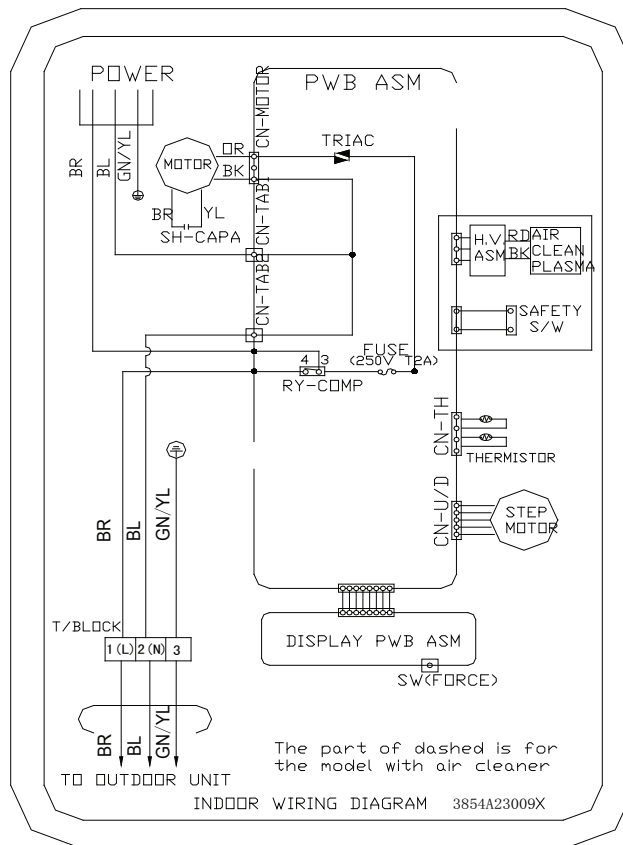
2. Piping Diagrams



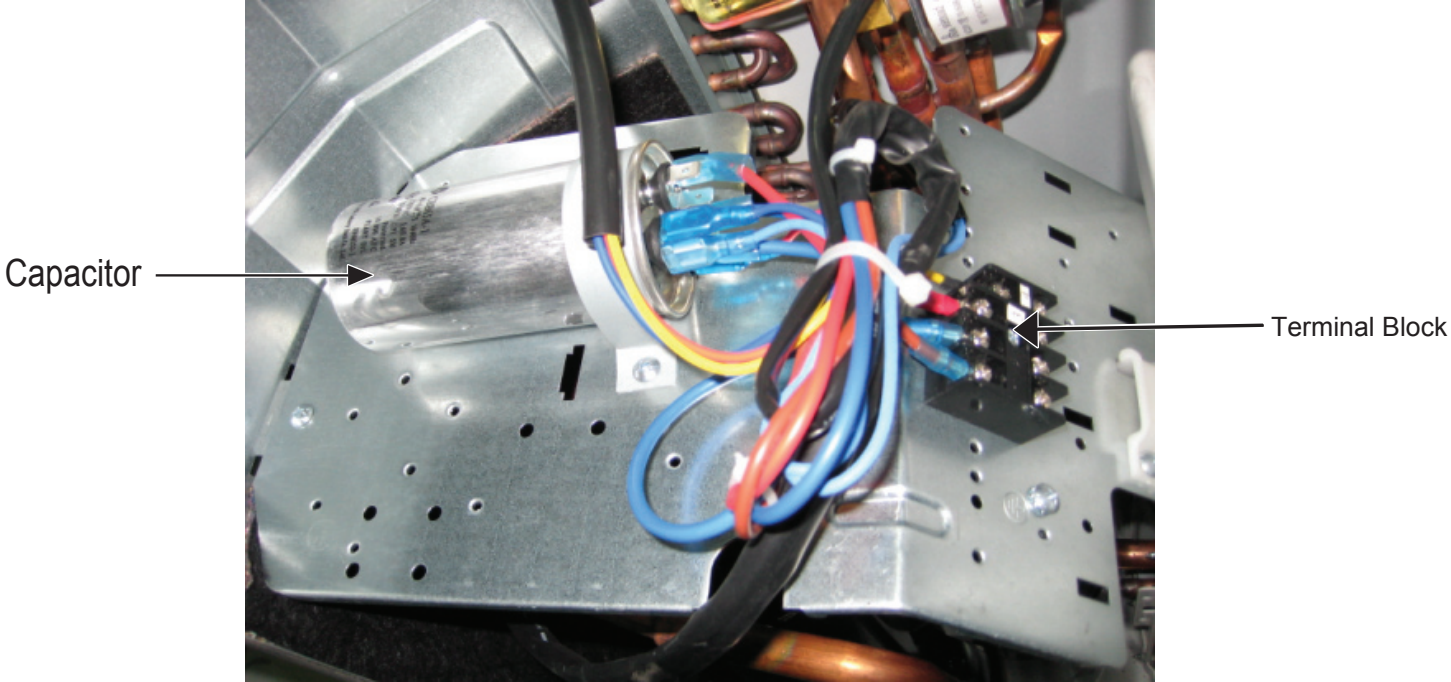
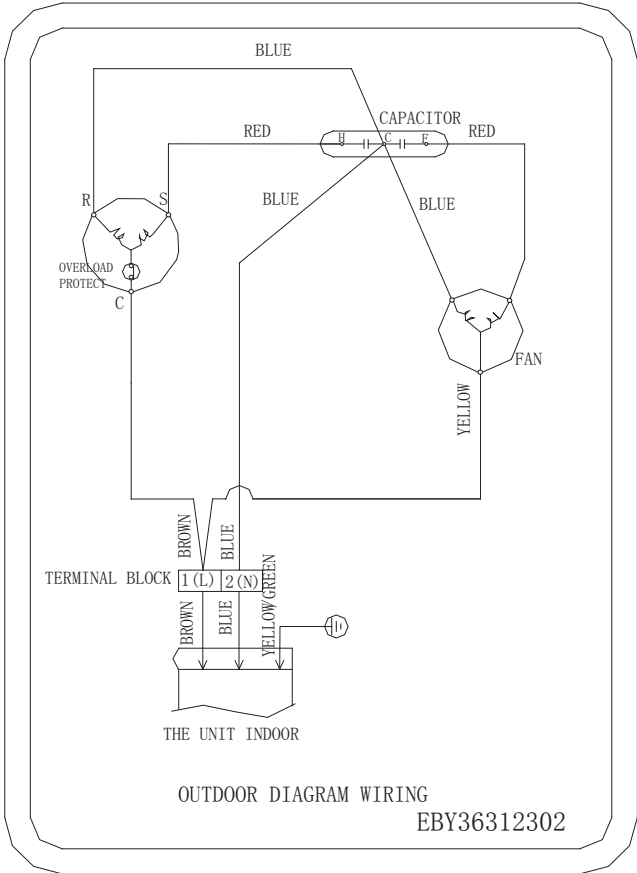
LOC.	Description	PCB Connector
Th1	Thermistor for indoor air temperature	CN-TH1
Th2	Thermistor for evaporating temperature	

3. Wiring Diagrams

Indoor Unit

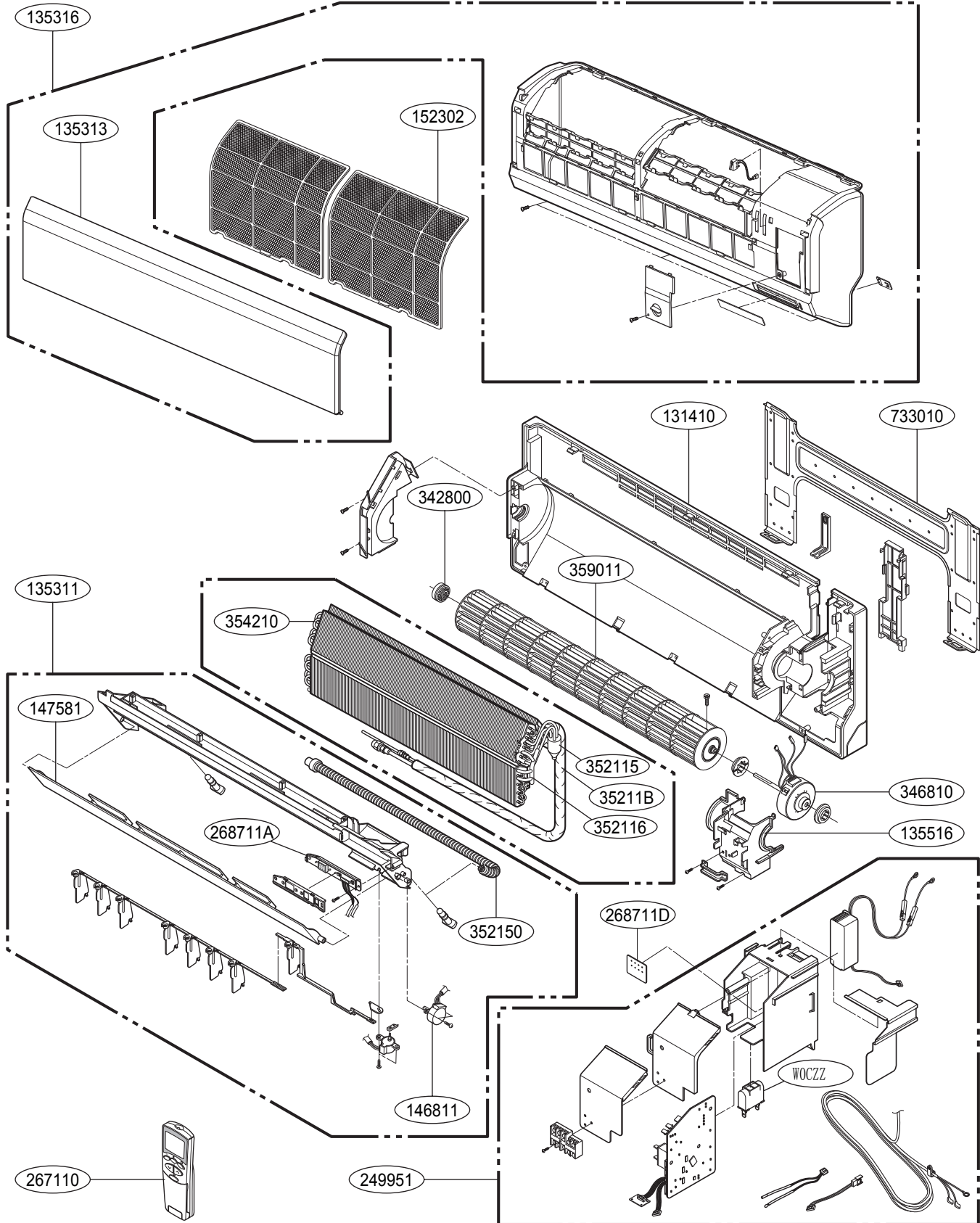


Outdoor Unit



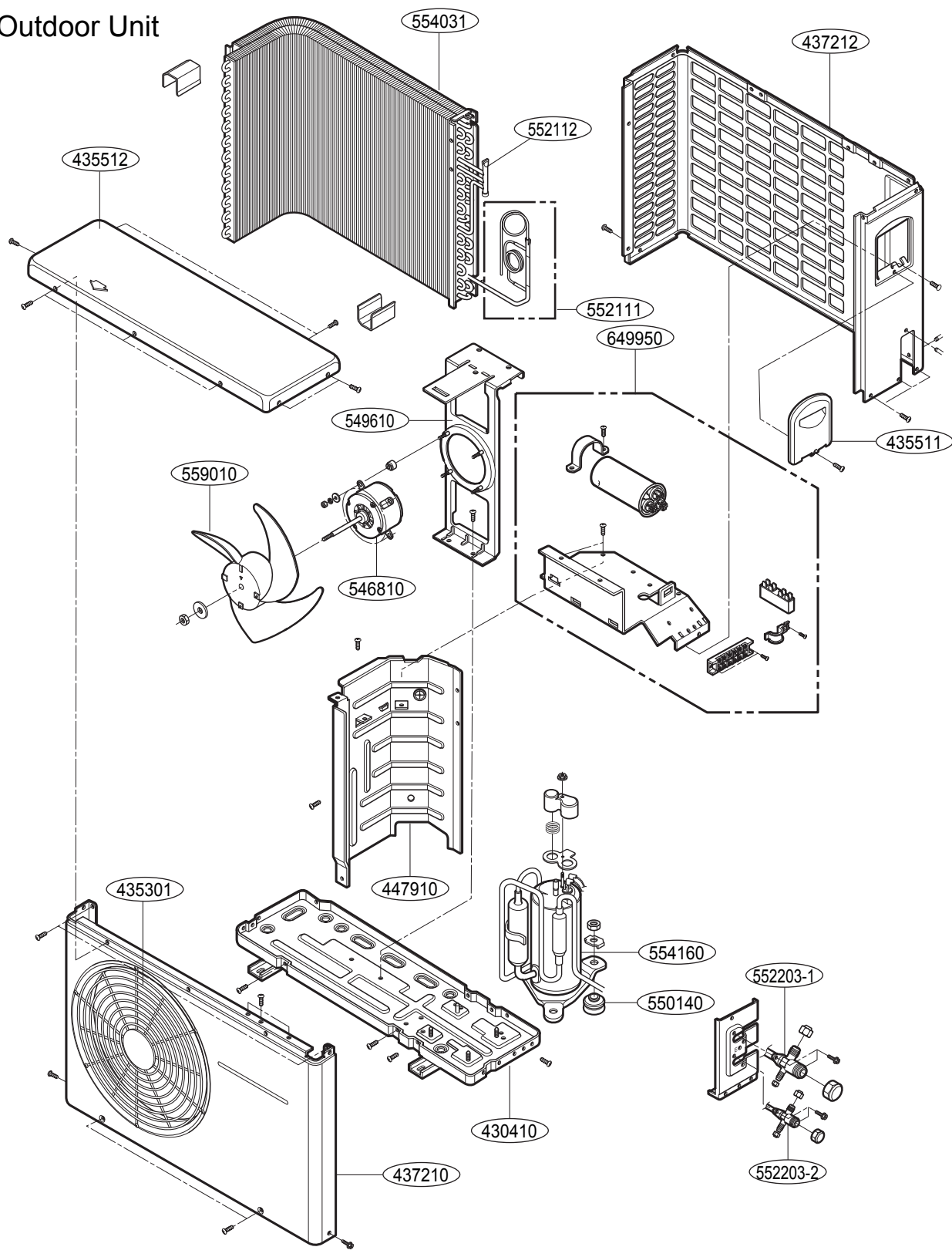
Exploded View

1. Indoor Unit



Exploded View

Outdoor Unit





P/NO : MFL37322726

JANUARY, 2008